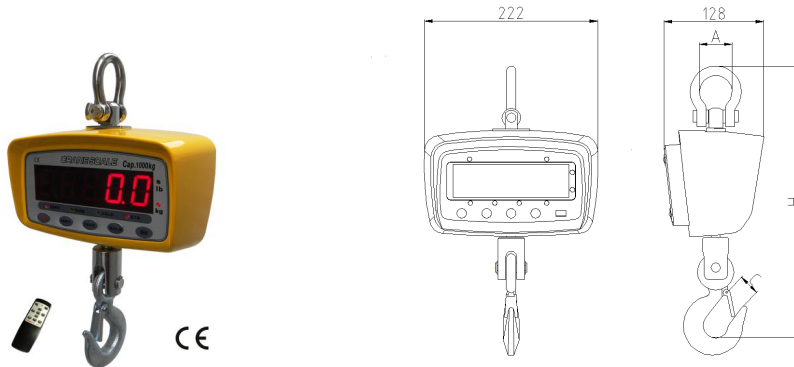


Digital Crane Scale

Model: OCS-SP



Dimensions and Specifications:

MODEL	Cap.(kg)	Resolution(kg)	A(mm)	C(mm)	H(mm)	N.W(kg)	G.W.(kg)
OCS-SP-005	50	0.02	33	24	320	4	5
OCS-SP-01	100	0.05	33	24	320	4	5
OCS-SP-02	200	0.1	33	24	320	4	5
OCS-SP-03	300	0.1	33	24	320	4	5
OCS-SP-05	500	0.2	41	25	345	4.2	5.2
OCS-SP-1	1000	0.5	41	25	345	4.2	5.2

Features:

◆ **Enclosure:**

NEMA 12/IP54 powder coated Die-Casting Aluminum, very light, easy to bring.

◆ **Multi-weighing units:**

Kg, lb, N are selectable, kg are default unit.

◆ **Multi-function operation:**

Tare, Zero, Auto zero tracking, Total, Hold, Overload warning and record, operated through infrared remote controller.

◆ **User-friendly design:**

Large red 5 digit LED display (digit height 30mm), Battery Operated with low battery indication, Automatic turn off , power-saving function.

◆ **Gravity regulation:**

The acceleration of gravity can be regulated through remote controller according to different places value.

◆ **Multi options:**

RS-232-continuous or on demand data output, user-selectable.

Corp. off & Plant: 45/3, Changodar Industrial Estate, Ahmedabad District co-op bank line, Nr. S.T. Bus Stop, Sarkhej-Bavla Highway, Changodar - 382 213. Dist. Ahmedabad.(Guj)

Phone : 9227530601/2/3. **E-mail :** info@endeavourweigh.com

GST No.: 24AAACE4190N1ZI

CIN : U51909GJ1994PTC022270

www.endeavourweigh.com

www.endeavourcranes.com

Main technical data:

Accuracy Standard	According to OIML class III
Display	30mm (1.2") 5digits LCD/LED
Filtering	Low, Medium or High selectable
Units	Kilograms or Pounds or Newtons selectable
Resulation	2000 to 3000 divisions standard(up to 15,000 available)
Zero Range	4% F.S.
Tare Range	100% F.S.
Overload Indication	100% F.S. + 9e
Max. Safety Load	125% F.S.
Ultimate Load	400% F.S.
Battery Type	Fully sealed Lead-Acid battery, 6V/5Ah
Battery Life	≥60 hours
Adapter	DC 9V/1000mA
Operating Temperature Range	- 20°C ~ + 50°C
Operating Humidity	≤85% RH under 20°C
Remote Controller Distance	Max. 15m
Battery of Remote Controller	2pcs AAA size battery
Acceleration of Gravity	Can be regulated, the default value is 9.793

Corp. off & Plant: 45/3, Changodar Industrial Estate, Ahmedabad District co-op bank line,
 Nr. S.T. Bus Stop, Sarkhej-Bavla Highway, Changodar - 382 213. Dist. Ahmedabad.(Guj)

Phone : 9227530601/2/3. **E-mail :** info@endeavourweigh.com

GST No.: 24AAACE4190N1ZI

CIN : U51909GJ1994PTC022270

www.endeavourweigh.com

www.endeavourcranes.com