



ENDEAVOUR

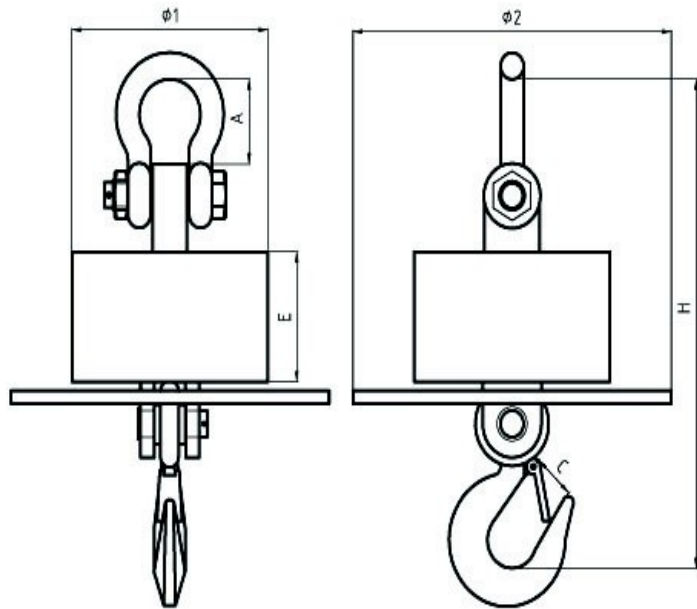
TOTAL WEIGHING SOLUTION

Endeavour Instrument Pvt. Ltd.

Manufacturers & Exporters of Electronic Weighing Scale & Weigh Bridges

Wireless Heat proof Crane Scale

Model: OCS-SWH6



Dimensions and Specifications:

MODEL	Cap.(kg)	Resolution	A(mm)	C(mm)	E(mm)	H(mm)	Φ1(mm)	Φ2(mm)	G.W.(kg)
OCS-SWH6-1	1000	100gm	67	35	160	450	270	400	48
OCS-SWH6-2	2000	200gm	67	35	160	450	270	400	48
OCS-SWH6-3	3000	500gm	95	45	160	510	270	520	50
OCS-SWH6-5	5000	500gm	113	55	185	625	325	520	56
OCS-SWH6-10	10000	1Kg	122	65	185	710	325	520	65
OCS-SWH6-15	15000	2Kg	144	70	185	835	325	520	90
OCS-SWH6-20	20000	2Kg	166	85	185	900	325	620	95
OCS-SWH6-30	30000	5Kg	285	100	220	1140	375	620	215
OCS-SWH6-50	50000	5Kg	360	160	280	1680	450	750	580



ENDEAVOUR

TOTAL WEIGHING SOLUTION

Endeavour Instrument Pvt. Ltd.

Manufacturers & Exporters of Electronic Weighing Scale & Weigh Bridges

Features

- Steel plate with heat-resistant material inside.
- Seamless steel pipe enclosure for maximum protection.
- Manu operation mode, calibration, saving, searching, printing, easy to operate.
- Indicator Adopts Σ - Δ A/D conversion technology.
- Able to setup zero(auto/manual) range, filtering range.
- Weighing data save protection in case of power off.
- Battery charger with several protection modes to extend life of rechargeable battery.
- Standard RS232 communication interface(optional).
- Portable design, indicator packed in portable carry case, easy to operate outdoor.
- Gathering up to data records of 2000 weighings, records can be sorted, searched and printed.
- Power saving mode, indicator will turn off automatically after 30minutes with no operation.
- With 32 channels optional, so 32 crane scales can operated independently in the same airplace without interface.

Main technical data

Accuracy Standard	According to OIML class III
Display	Dot-Matrix LCD with backlight
Wireless Distance	Up to 200m without obstacles
Filtering	Low, Medium or High selectable
Resulation	2000 to 3000 divisions standard(up to 15,000 available)
Zero Range	Auto/Manual setting, from 4% to 100%.
Tare Range	100% F.S.
Overload Indication	100% F.S. + 9e
Max. Safety Load	125% F.S.
Ultimate Load	700% F.S.
Scale Battery Type	DC 6V/4Ah rechargeable Ni-H battery
Indicator Battery	7.2V/2.8Ah rechargeable Ni-H battery
Battery charger	Input: AC100-240V 50/60Hz Output: 850mA
Printer	Standard parallel print interface(EPSON printer)
Operating Temperature Range	- 20 <input type="checkbox"/> ~ + 50 <input type="checkbox"/>
Operating Humidity	≤85% RH under 20 <input type="checkbox"/>
Radio Frequency	433MHz

Min distance between scale and high temperature:

1000 <input type="checkbox"/>	1200 <input type="checkbox"/>	1400 <input type="checkbox"/>	1600 <input type="checkbox"/>
1.6m	1.8m	2m	2.2m

Corp. Off. : 4th Floor, Mohini-II, Nr. Gandhigram Railway Station, Ashram Road, Ahmedabad-380 006, Gujarat, INDIA. Phone : +91-79-2658 2693-7 Fax : +91-79-26582107
 Factory : 45/3, Changodar Industrial Estate, A'bad. Dist. Co-Op. Bank Road, Opp. S. T. Bus Stand, Sarkhej Bavla Highway, Changodar - 382 213. Ta. Sanand, Dist. : Ahmedabad, Gujarat, INDIA. Phone : +91-2717-250691 Fax : +91-2717-250475 Email: eipl@endeavourweigh.com, Web: www.endeavourweigh.com



Endeavour